

RS485-SERVO Connection method



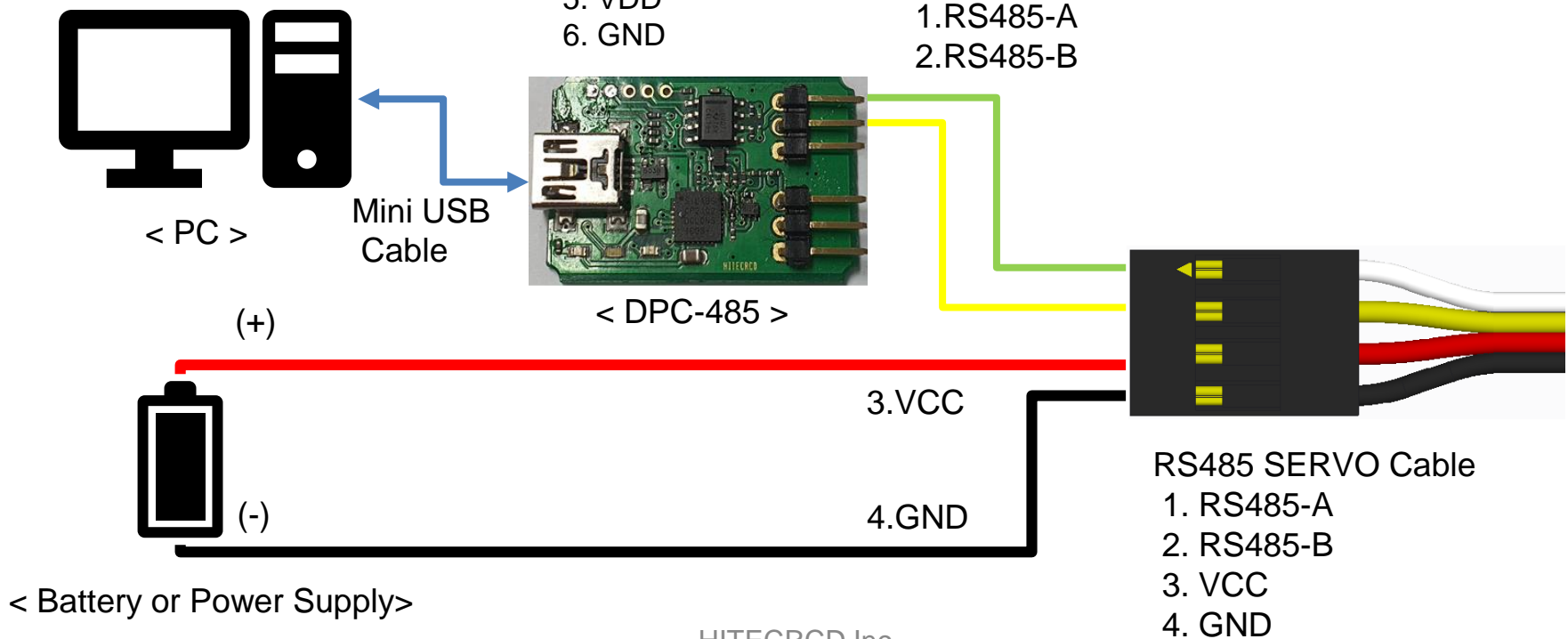
01

Use the DPC-485

< DPC-485 Pin Map >

- 1. RS485-A
- 2. RS485-B
- 3. GND

-
- 4. TTL
 - 5. VDD
 - 6. GND



02

Use the USB to RS485 Converter(COTS)

