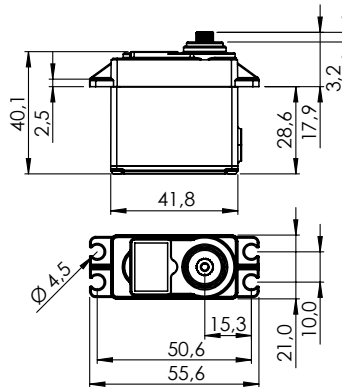


HS-646WP

#115646



General Specification		HS-646WP	
Control System	Pulse Width Modulation (PWM)		
	PWM Range	900µs 1500µs 2100µs	
Connector Type	Hitec 3P (JR 3P compatible)		
Position Sensor Type	Indirect Drive / 4 Slider / 1M cycle Long Life		
Motor Type	Cored Carbon Brush / 3 Pole Ferrite Motor		
Controller (MCU)	-		
Operating Voltage Range	6.0V ~ 7.4V		
Operating Voltage	At 6.0V		At 7.4V
No Load Speed	300°/s (50RPM)		353°/s (59RPM)
Stall Torque	9.6kgcm (94.14Ncm)		11.6kgcm (113.76Ncm)
Idle Current	8mA		8mA
No Load Running Current	400mA		600mA
Stall Current	2,000mA		2,200mA
Deadband Width	4µs		4µs
Operating Travel	Default	±60°	
	Programmable	n/a	
	Multi Turn	n/a	
	Continuous Rotation	n/a	
Operating Temperature Range	-20°C ~ +60°C (-4°F ~ +140°F)		
Storage Temperature Range	-		
Vibrations at No Load	-		
Connector Wire Length	300mm		
Connector Wire Gauge	22AWG		
Connector Wire Strand Count	60EA		
Outline Dimensions	41.8 x 21.0 x 40.0mm		
Weight*	57.7g		
Ball Bearing	Dual Ball Bearing / MR106		
Case Material	Engineering Plastic		
Gear Material	1 Metal-Plastic & 3 Metal Gears		
Gear Train Backlash	-		
Horn Gear Spline	24T Ø5.76		
Accessories	Mounting Hardware, R-O, R-XA, HD-IS, HD-LS, HS-OS		
Dust & Water Protection class	IP67		
Revision	Rev. 1.0 / 17.02.2022		
Changelog	-		

*of the servo only w/o horns and accessories