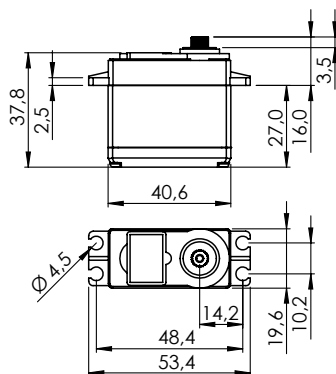


HS-645MG

#112645



General Specification		HS-645MG	
Control System	Pulse Width Modulation (PWM)		
	PWM Range	900µs 1500µs 2100µs	
Connector Type	Hitec 3P (JR 3P compatible)		
Position Sensor Type	Contact Analog Potentiometer		
Motor Type	Cored / 3 Pole Ferrite Motor		
Controller (MCU)	-		
Operating Voltage Range	4.8V ~ 6.0V		
Operating Voltage	At 4.8V	At 6.0V	
No Load Speed	250°/s (42RPM)	300°/s (50RPM)	
Stall Torque	7.7kgcm (75.51Ncm)	9.6kgcm (94.14Ncm)	
Idle Current	8.8mA	9.1mA	
No Load Running Current	350mA	450mA	
Stall Current	-	-	
Deadband Width	8µs	8µs	
Operating Travel	Default	±60°	
	Programmable	n/a	
	Multi Turn	n/a	
	Continuous Rotation	n/a	
Operating Temperature Range	-20°C ~ +60°C (-4°F ~ +140°F)		
Storage Temperature Range	-30°C ~ +80°C (-31°F ~ +176°F)		
Vibrations at No Load	-		
Connector Wire Length	300mm		
Connector Wire Gauge	22AWG		
Connector Wire Strand Count	60EA		
Outline Dimensions	40.6 x 19.8 x 37.8mm		
Weight*	52.5g		
Ball Bearing	Dual Ball Bearing		
Case Material	Engineering Plastic		
Gear Material	1 Metal-Plastic Gear & 3 Metal Gears		
Gear Train Backlash	Max 0.5°		
Horn Gear Spline	24T / Ø5.76		
Accessories	Mounting Hardware, R-O, R-XA, HD-IS, HD-LS, HD-OS		
Dust & Water Protection class	IP4X		
Revision	Rev. 1.0 / 17.02.2022		
Changelog	-		

*of the servo only w/o horns and accessories