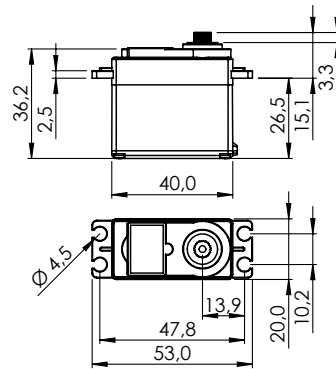


HS-325HB

#112325



General Specification		HS-325HB	
Control System	Pulse Width Modulation (PWM)		
	PWM Range	900µs 1500µs 2100µs	
Connector Type	Hitec 3P (JR 3P compatible)		
Position Sensor Type	Direct Drive / 4 Slider		
Motor Type	Cored Metal Brush		
Controller (MCU)	-		
Operating Voltage Range	4.8V ~ 6.0V		
Operating Voltage	At 4.8V		At 6.0V
No Load Speed	316°/s (53RPM)	400°/s (67RPM)	
Stall Torque	3.0kgcm (29.42Ncm)	3.7kgcm (36.28Ncm)	
Idle Current	7.4mA	7.7mA	
No Load Running Current	160mA	180mA	
Stall Current	700mA	800mA	
Deadband Width	5µs	5µs	
Operating Travel	Default	±60°	
	Programmable	n/a	
	Multi Turn	n/a	
	Continuous Rotation	n/a	
Operating Temperature Range	-20°C ~ +60°C (-4°F ~ +140°F)		
Storage Temperature Range	-		
Vibrations at No Load	-		
Connector Wire Length	300mm		
Connector Wire Gauge	25AWG		
Connector Wire Strand Count	40EA		
Outline Dimensions	40.0 x 20.0 x 36.5mm		
Weight*	42.7g		
Ball Bearing	Single Ball Bearing		
Case Material	Engineering Plastic		
Gear Material	2 Heavy Duty Resin Gears		
Gear Train Backlash	-		
Horn Gear Spline	24T Ø5.76		
Accessories	Mounting Hardware, R-O, R-X, R-I, R-D, R-C		
Dust & Water Protection class	IP4X		
Revision	Rev. 1.0 / 17.02.2022		
Changelog	-		

*of the servo only w/o horns and accessories