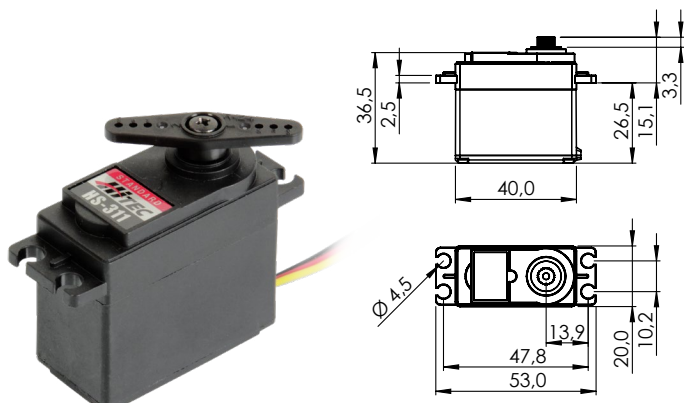


HS-311

#112311



General Specification		HS-311	
Control System	Pulse Width Modulation (PWM)		
	PWM Range	900µs 1500µs 2100µs	
Connector Type	Hitec 3P (JR 3P compatible)		
Position Sensor Type	Direct Drive / 4 Slider		
Motor Type	Cored Metal Brush		
Controller (MCU)	-		
Operating Voltage Range	4.8V ~ 6.0V		
Operating Voltage	At 4.8V		At 6.0V
No Load Speed	316°/s (53RPM)		400°/s (67RPM)
Stall Torque	3.0kgcm (29.42Ncm)		3.7kgcm (36.28Ncm)
Idle Current	7.4mA		7.7mA
No Load Running Current	160mA		180mA
Stall Current	700mA		800mA
Deadband Width	5µs		5µs
Operating Travel	Default	±60°	
	Programmable	n/a	
	Multi Turn	n/a	
	Continuous Rotation	n/a	
Operating Temperature Range	-20°C ~ +60°C (-4°F ~ +140°F)		
Storage Temperature Range	-		
Vibrations at No Load	-		
Connector Wire Length	300mm		
Connector Wire Gauge	25AWG		
Connector Wire Strand Count	40EA		
Outline Dimensions	40.0 x 20.0 x 36.5mm		
Weight*	42.5g		
Ball Bearing	Single Resin Bushing		
Case Material	Engineering Plastic		
Gear Material	Resin Gears		
Gear Train Backlash	-		
Horn Gear Spline	24T Ø5.76		
Accessories	Mounting Hardware, R-O, R-X, R-I, R-D, R-C, R-XA		
Dust & Water Protection class	IP4X		
Revision	Rev. 1.0 / 17.02.2022		
Changelog	-		

*of the servo only w/o horns and accessories