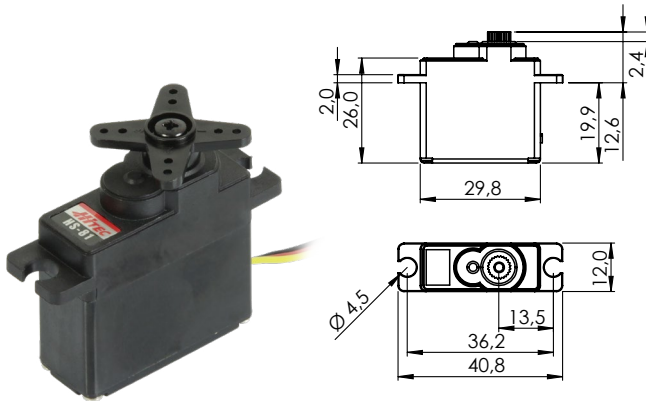


HS-81

#112081



General Specification		HS-81	
Control System	Pulse Width Modulation (PWM)		
	PWM Range	900µs 1500µs 2100µs	
Connector Type	Hitec 3P (JR 3P compatible)		
Position Sensor Type	Direct Drive		
Motor Type	Cored / 3 poles Ferrite Motor		
Controller (MCU)	-		
Operating Voltage Range	4.8V ~ 6.0V		
Operating Voltage	At 4.8V	At 6.0V	
No Load Speed	545°/s (91RPM)	667°/s (111RPM)	
Stall Torque	2.6kgcm (25.50Ncm)	3.0kgcm (29.42Ncm)	
Idle Current	8.8mA	9.1mA	
No Load Running Current	220mA	280mA	
Stall Current	-	-	
Deadband Width	8µs	8µs	
Operating Travel	Default	±60°	
	Programmable	n/a	
	Multi Turn	n/a	
	Continuous Rotation	n/a	
Operating Temperature Range	-20°C ~ +60°C (-4°F ~ +140°F)		
Storage Temperature Range	-		
Vibrations at No Load	-		
Connector Wire Length	160mm		
Connector Wire Gauge	28AWG		
Connector Wire Strand Count	20EA		
Outline Dimensions	29.8 x 12.0 x 29.6mm		
Weight*	16.3g		
Ball Bearing	-		
Case Material	Engineering Plastic		
Gear Material	Nylon Gears		
Gear Train Backlash	-		
Horn Gear Spline	24T Ø5.76		
Accessories	Mounting Hardware, M-I, M-X, M-O		
Dust & Water Protection class	IP4X		
Revision	Rev. 1.0 / 17.02.2022		
Changelog	-		

*of the servo only w/o horns and accessories