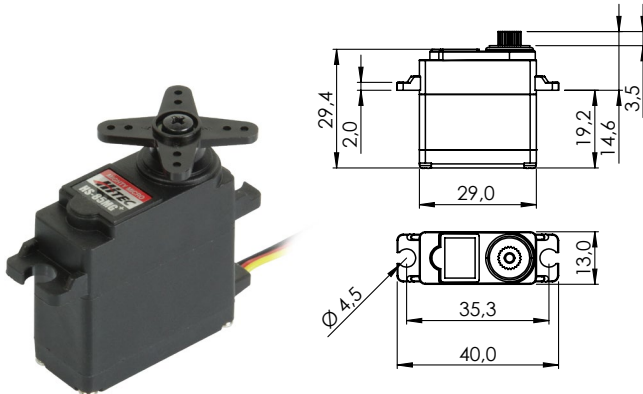


HS-85MG

#112086



General Specification		HS-85MG	
Control System	Pulse Width Modulation (PWM)		
	PWM Range	900µs 1500µs 2100µs	
Connector Type	Hitec 3P (JR 3P compatible)		
Position Sensor Type	Direct Drive		
Motor Type	Cored / 3 Pole Ferrite Motor		
Controller (MCU)	-		
Operating Voltage Range	4.8V ~ 6.0V		
Operating Voltage	At 4.8V		At 6.0V
No Load Speed	375°/s (63RPM)		429°/s (71RPM)
Stall Torque	3.0kgcm (29.42Ncm)		3.5kgcm (34.32Ncm)
Idle Current	8mA		8mA
No Load Running Current	240mA		240mA
Stall Current	-		-
Deadband Width	5µs		5µs
Operating Travel	Default	±60°	
	Programmable	n/a	
	Multi Turn	n/a	
	Continuous Rotation	n/a	
Operating Temperature Range	-20°C ~ +60°C (-4°F ~ +140°F)		
Storage Temperature Range	-		
Vibrations at No Load	-		
Connector Wire Length	250mm		
Connector Wire Gauge	28AWG		
Connector Wire Strand Count	20EA		
Outline Dimensions	29.0 x 13.0 x 30.0mm		
Weight*	21.2g		
Ball Bearing	Single Ball Bearing		
Case Material	Engineering Plastic		
Gear Material	4 Metal Gears		
Gear Train Backlash	-		
Horn Gear Spline	24T Ø5.76		
Accessories	Mounting Hardware, M-I, M-X, M-O		
Dust & Water Protection class	IP4X		
Revision	Rev. 1.0 / 17.02.2022		
Changelog	-		

*of the servo only w/o horns and accessories