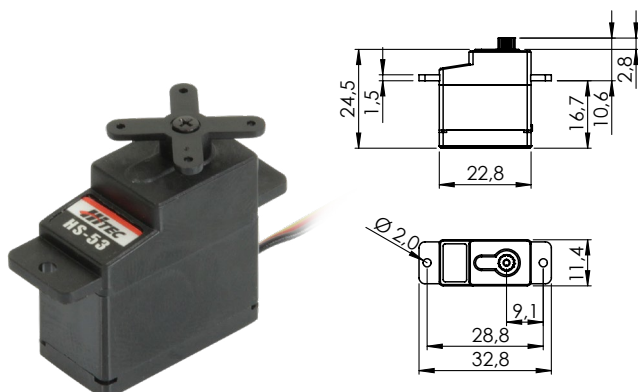


# HS-53

## #112053



General Specification		HS-53	
Control System	Pulse Width Modulation (PWM)		
	PWM Range	900µs   1500µs   2100µs	
Connector Type	Hitec 3P (JR 3P compatible)		
Position Sensor Type	Direct Drive / 2 Slider		
Motor Type	Cored Metal Brush		
Controller (MCU)	-		
Operating Voltage Range	4.8V ~ 6.0V		
Operating Voltage	At 4.8V	At 6.0V	
No Load Speed	375°/s (63RPM)	462°/s (77RPM)	
Stall Torque	1.2kgcm (11.77Ncm)	1.5kgcm (14.71Ncm)	
Idle Current	8mA	10mA	
No Load Running Current	100mA	125mA	
Stall Current	440mA	550mA	
Deadband Width	5µs	5µs	
Operating Travel	Default	±60°	
	Programmable	n/a	
	Multi Turn	n/a	
	Continuous Rotation	n/a	
Operating Temperature Range	-20°C ~ +60°C (-4°F ~ +140°F)		
Storage Temperature Range	-		
Vibrations at No Load	-		
Connector Wire Length	250mm		
Connector Wire Gauge	28AWG		
Connector Wire Strand Count	20EA		
Outline Dimensions	28.6 x 11.6 x 24.1mm		
Weight*	7.6g		
Ball Bearing	Non		
Case Material	Engineering Plastic		
Gear Material	POM Normal Resin Gears		
Gear Train Backlash	-		
Horn Gear Spline	15T Ø4.0		
Accessories	Mounting Hardware, FS-IL, FS-X		
Dust & Water Protection class	IP4X		
Revision	Rev. 1.0 / 17.02.2022		
Changelog	-		

\*of the servo only w/o horns and accessories