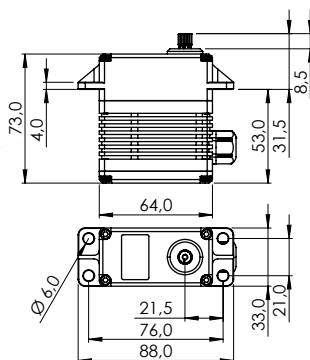


HS-1100WP

#138100



General Specification		HS-1100WP	
Control System	Pulse Width Modulation (PWM)		
	PWM Range	900µs 1500µs 2100µs	
Connector Type	Hitec 3P (JR 3P compatible)		
Position Sensor Type	Indirect Drive / 1M Cycle Long Life		
Motor Type	5 Poles DC Cored Carbon Brush		
Controller (MCU)	Digital Amplifier with Mosfet Drive		
Operating Voltage Range	11.1V ~ 14.8V		
Operating Voltage	At 11.1V	At 14.8V	
No Load Speed	231°/s (38RPM)	316°/s (53RPM)	
Stall Torque	84.0kgcm (823.76Ncm)	110.0kgcm (1078.73Ncm)	
Idle Current	90mA	130mA	
No Load Running Current	1100mA	1300mA	
Stall Current	5,500mA	6,500mA	
Deadband Width	2µs	2µs	
Operating Travel	Default	±60°	
	Programmable	n/a	
	Multi Turn	n/a	
	Continuous Rotation	n/a	
Operating Temperature Range	-20°C ~ +60°C (-4°F ~ +140°F)		
Storage Temperature Range	-		
Vibrations at No Load	-		
Connector Wire Length	250mm		
Connector Wire Gauge	Signal - 20AWG / Motor - 18AWG		
Connector Wire Strand Count	80EA		
Outline Dimensions	64.0 x 33.0 x 73.0mm		
Weight*	363.0g		
Ball Bearing	Dual Needle Bearing		
Case Material	Rugged Aluminum Alloy		
Gear Material	1 Metal-Plastic & 3 Hardened Steel Gears		
Gear Train Backlash	-		
Horn Gear Spline	15T Ø8.0		
Accessories	Mounting Hardware, I-MO		
Dust & Water Protection class	IP67		
Revision	Rev. 1.0 / 29.06.2022		
Changelog	-		

*of the servo only w/o horns and accessories