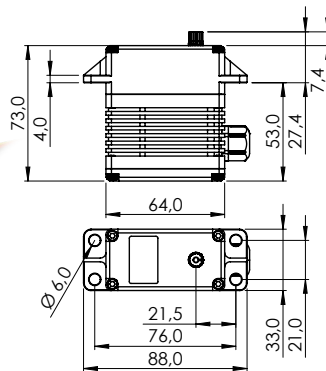


HS-1005SGT

#138105



General Specification		HS-1005SGT	
Control System	Pulse Width Modulation (PWM)		
	PWM Range	900µs 1500µs 2100µs	
Connector Type	Hitec 3P (JR 3P compatible)		
Position Sensor Type	Indirect Drive / 1M Cycle Long Life		
Motor Type	5 Poles DC Cored Carbon Brush		
Controller (MCU)	Digital Amplifier with Mosfet Drive		
Operating Voltage Range	11.1V ~ 14.8V		
Operating Voltage	At 11.1V		At 14.8V
No Load Speed	231°/s (38RPM)		316°/s (53RPM)
Stall Torque	84.0kgcm (823.76Ncm)		110.0kgcm (1078.73Ncm)
Idle Current	90mA		130mA
No Load Running Current	1100mA		1300mA
Stall Current	5,500mA		6,500mA
Deadband Width	2µs		2µs
Operating Travel	Default	±60°	
	Programmable	n/a	
	Multi Turn	n/a	
	Continuous Rotation	n/a	
Operating Temperature Range	-20°C ~ +60°C (-4°F ~ +140°F)		
Storage Temperature Range	-		
Vibrations at No Load	IEC-60068-2-64		
Connector Wire Length	250mm		
Connector Wire Gauge	Signal - 21AWG / Motor - 19AWG		
Connector Wire Strand Count	80EA		
Outline Dimensions	64.0 x 33.0 x 73.0mm		
Weight*	363.0g		
Ball Bearing	Dual Ball Bearing / MR148		
Case Material	Rugged Aluminum Alloy		
Gear Material	1 Metal-Plastic & 3 Steel Gears		
Gear Train Backlash	Max 0.5°		
Horn Gear Spline	15T Ø8.0		
Accessories	Mounting Hardware, I-MO		
Dust & Water Protection class	IP54		
Revision	Rev. 1.0 / 29.06.2022		
Changelog	-		

*of the servo only w/o horns and accessories