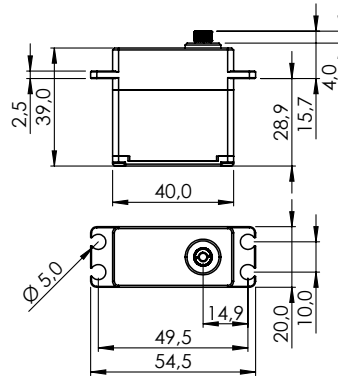


DB961WP

#1-02571



General Specification		DB961WP	
Control System	Pulse Width Modulation (PWM)		
	PWM Range	900µs 1500µs 2100µs	
Connector Type	Hitec 3P (JR 3P compatible)		
Position Sensor Type	Contact Analog Potentiometer		
Motor Type	BLDC		
Controller (MCU)	16Bit Digital Programmable		
Operating Voltage Range	6.0 ~ 7.4V		
Operating Voltage	At 4.8V		At 7.4V
No Load Speed	333°/s (56RPM)		400°/s (67RPM)
Stall Torque	55.0kgcm (539.37Ncm)		55.0kgcm (539.37Ncm)
Idle Current	35mA		35mA
No Load Running Current	330mA		330mA
Stall Current	8,000mA		6,500mA
Deadband Width	1µs		1µs
Operating Travel	Default	±60°	
	Programmable	±87,5°	
	Multi Turn	n/a	
	Continuous Rotation	n/a	
Operating Temperature Range	-20°C ~ +60°C (-4°F ~ +140°F)		
Storage Temperature Range	MIL-STD-810G 514.6C-VII		
Vibrations at No Load	-30°C ~ +80°C (-31°F ~ +176°F)		
Connector Wire Length	300mm		
Connector Wire Gauge	20AWG		
Connector Wire Strand Count	80EA		
Outline Dimensions	40.0 x 20.0 x 39.0mm		
Weight*	90.0g		
Ball Bearing	Dual Ball Bearing		
Case Material	Rugged Aluminum Alloy		
Gear Material	5 Steel Gears		
Gear Train Backlash	Max 0.5°		
Horn Gear Spline	H25T Ø6.0		
Accessories	Mounting Hardware, HD-IM25, HD-LS25, HD-OS25, HD-X25		
Dust & Water Protection class	IP67		
Revision	Rev. 1.0 / 17.02.2022		
Changelog	-		

*of the servo only w/o horns and accessories