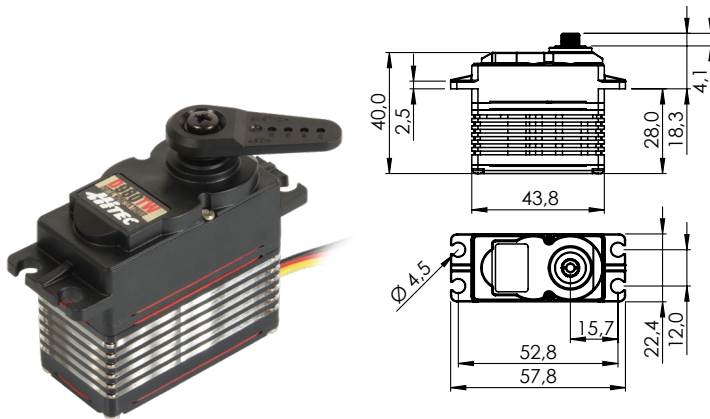


D980TW

#116980



General Specification		D980TW	
Control System	Pulse Width Modulation (PWM)		
	PWM Range	900µs 1500µs 2100µs	
Connector Type	Hitec 3P (JR 3P compatible)		
Position Sensor Type	Indirect Drive / 4 Slider / 1M Cycle Long Life		
Motor Type	Coreless Metal Brush		
Controller (MCU)	Digital Amplifier with Mosfet Drive		
Operating Voltage Range	6.0V ~ 7.4V		
Operating Voltage	At 4.8V		At 7.4V
No Load Speed	214°/s (36RPM)		343°/s (59RPM)
Stall Torque	26.0kgcm (254.97Ncm)		44.0kgcm (431.49Ncm)
Idle Current	30mA		30mA
No Load Running Current	300mA		500mA
Stall Current	4,800mA		6,200mA
Deadband Width	1µs		1µs
Operating Travel	Default	±60°	
	Programmable	±87,5°	
	Multi Turn	n/a	
	Continuous Rotation	n/a	
Operating Temperature Range	-20°C ~ +60°C (-4°F ~ +140°F)		
Storage Temperature Range	-		
Vibrations at No Load	-		
Connector Wire Length	300mm		
Connector Wire Gauge	20AWG		
Connector Wire Strand Count	80EA		
Outline Dimensions	43.8 x 22.4 x 40.0mm		
Weight*	75.8g		
Ball Bearing	Dual Ball Bearing / MR106		
Case Material	Engineering Plastic		
Gear Material	1 Metal-Plastic & 3 Titanium Alloy Gears		
Gear Train Backlash	-		
Horn Gear Spline	H25T Ø6.0		
Accessories	Mounting Hardware, HD-IM25, HD-LS25, HD-OS25, HD-X25, HD-IL25, HD-LL25, HD-IG25, HD-LG25		
Dust & Water Protection class	IP54		
Revision	Rev. 1.0 / 17.02.2022		
Changelog	-		

*of the servo only w/o horns and accessories