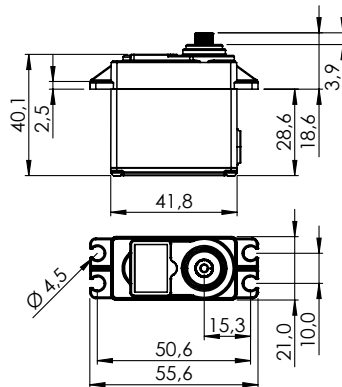


# D646WP

## #1-00072



General Specification		D646WP	
Control System	Pulse Width Modulation (PWM)		
	PWM Range	900µs   1500µs   2100µs	
Connector Type	Hitec 3P (JR 3P compatible)		
Position Sensor Type	Magnetic Encoder / 4 Slider / 1M Cycle Long Life		
Motor Type	Cored Carbon Brush		
Controller (MCU)	32Bit Digital Amplifier with Mosfet Drive		
Operating Voltage Range	4.8V ~ 7.4V		
Operating Voltage	At 4.8V		At 7.4V
No Load Speed	250°/s (42RPM)	375°/s (63RPM)	
Stall Torque	7.5kgcm (73.55Ncm)	11.6kgcm (113.76Ncm)	
Idle Current	30mA	30mA	
No Load Running Current	270mA	330mA	
Stall Current	1,500mA	2,200mA	
Deadband Width	2µs	2µs	
Operating Travel	Default	±60°	
	Programmable	±87,5°	
	Multi Turn	n/a	
	Continuous Rotation	n/a	
Operating Temperature Range	-20°C ~ +60°C (-4°F ~ +140°F)		
Storage Temperature Range	-		
Vibrations at No Load	-		
Connector Wire Length	300mm		
Connector Wire Gauge	22AWG		
Connector Wire Strand Count	60EA		
Outline Dimensions	41.8 x 21.0 x 40.0mm		
Weight*	57.3g		
Ball Bearing	Dual Ball Bearing / MR106		
Case Material	Engineering Plastic		
Gear Material	1 Metal-Plastic & 3 Metal Gears		
Gear Train Backlash	-		
Horn Gear Spline	H25T Ø6.0		
Accessories	Mounting Hardware, HD-IM25, HD-LS25, HD-OS25, HD-X25		
Dust & Water Protection class	IP67		
Revision	Rev. 1.0 / 17.02.2022		
Changelog	-		

\*of the servo only w/o horns and accessories