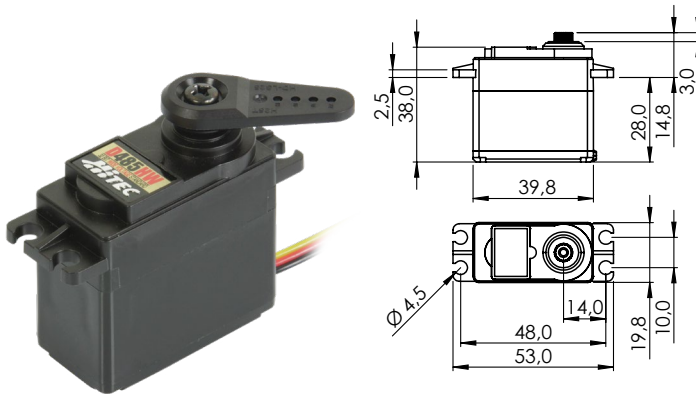


D485HW

#1-00066



General Specification		D485HW	
Control System	Pulse Width Modulation (PWM)		
	PWM Range	900µs 1500µs 2100µs	
Connector Type	HITEC 3P (JR 3P compatible)		
Position Sensor Type	Indirect Drive / 1M Cycle Long Life		
Motor Type	Cored Metal Brush		
Controller (MCU)	Digital Programmable Amplifier with Mosfet Drive		
Operating Voltage Range	3.5V ~ 8.4V		
Operating Voltage	At 4.8V		At 7.4V
No Load Speed	300°/s (50RPM)		400°/s (67RPM)
Stall Torque	5.2kgcm (50.99Ncm)		7.5kgcm (73.55Ncm)
Idle Current	30mA		30mA
No Load Running Current	250mA		320mA
Stall Current	1,000mA		1,500mA
Deadband Width	2µs		2µs
Operating Travel	Default	±60°	
	Programmable	±87,5°	
	Multi Turn	n/a	
	Continuous Rotation	n/a	
Operating Temperature Range	-20°C ~ +60°C (-4°F ~ +140°F)		
Storage Temperature Range	-		
Vibrations at No Load	-		
Connector Wire Length	300mm		
Connector Wire Gauge	25AWG		
Connector Wire Strand Count	40EA		
Outline Dimensions	39.8 x 19.8 x 38.0mm		
Weight*	43.2g		
Ball Bearing	Single Ball Bearing / MR106		
Case Material	Engineering Plastic		
Gear Material	Karbonite Resin Gears		
Gear Train Backlash	-		
Horn Gear Spline	H25T Ø6.0		
Accessories	Mounting Hardware, HD-IM25, HD-LS25, HD-OS25, HD-X25		
Dust & Water Protection class	IP4X		
Revision	Rev. 1.0 / 17.02.2022		
Changelog	-		

*of the servo only w/o horns and accessories