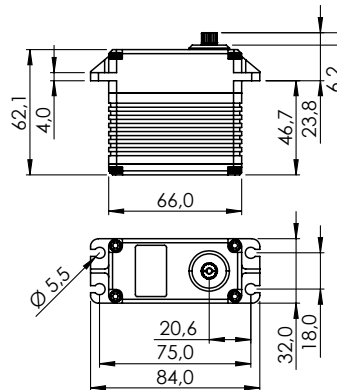


MDR845WP

#1-01329



General Specification		MDR845WP	
Control System	Pulse Width Modulation (PWM)		
	PWM Range	900µs 1500µs 2100µs	
Connector Type	Hitec 3P (JR 3P compatible)		
Position Sensor Type	Contactless Magnetic Encoder		
Motor Type	Cored Carbon Brush		
Controller (MCU)	32Bit Programmable Digital		
Operating Voltage Range	4.8V ~ 7.4V		
Operating Voltage	At 4.8V	At 7.4V	
No Load Speed	231°/s (38RPM)	353°/s (59RPM)	
Stall Torque	32.5kgcm (318.72Ncm)	50.0kgcm (490.33Ncm)	
Idle Current	30mA	30mA	
No Load Running Current	1,100mA	1,600mA	
Stall Current	6,000mA	10,000mA	
Deadband Width	2µs	2µs	
Operating Travel	Default	±1800°	
	Programmable	-	
	Multi Turn	n/a	
	Continuous Rotation	n/a	
Operating Temperature Range	-20°C ~ +60°C (-4°F ~ +140°F)		
Storage Temperature Range	-		
Vibrations at No Load	-30°C ~ +80°C (-31°F ~ +176°F)		
Connector Wire Length	300mm		
Connector Wire Gauge	20AWG		
Connector Wire Strand Count	80EA		
Outline Dimensions	66.0 x 32.0 x 62.0mm		
Weight*	227.0g		
Ball Bearing	Dual Ball Bearing / MR148		
Case Material	Engineering Plastic & Aluminum Heatsink		
Gear Material	1 Metal-Plastic & 4 Steel Gears		
Gear Train Backlash	Max 0.5°		
Horn Gear Spline	15T Ø8.0		
Accessories	Mounting Hardware, Q-MIA, Q-XA, Q-IA		
Dust & Water Protection class	IP67		
Revision	Rev. 1.0 / 23.02.2022		
Changelog	-		

*of the servo only w/o horns and accessories