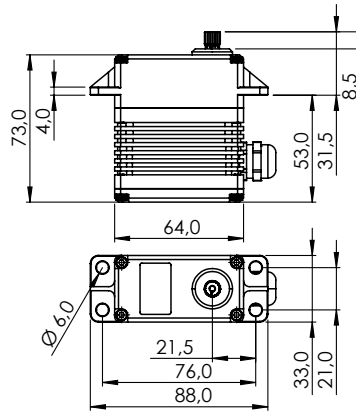


# MD1100WP

## #1-01638



General Specification		MD1100WP	
Control System	Pulse Width Modulation (PWM)		
	PWM Range	900µs   1500µs   2100µs	
Connector Type	Hitec 3P (JR 3P compatible)		
Position Sensor Type	Magnetic Encoder		
Motor Type	5 Poles DC Cored Carbon Brush		
Controller (MCU)	Digital Amplifier with Mosfet Drive		
Operating Voltage Range	11.1V ~ 14.8V		
Operating Voltage	At 11.1V	At 14.8V	
No Load Speed	231°/s (38RPM)	316°/s (53RPM)	
Stall Torque	84.0kgcm (823.76Ncm)	110.0kgcm (1078.73Ncm)	
Idle Current	90mA	90mA	
No Load Running Current	550mA	500mA	
Stall Current	6,500mA	8,000mA	
Deadband Width	2µs	2µs	
Operating Travel	Default	±60°	
	Programmable	±160°	
	Multi Turn	n/a	
	Continuous Rotation	n/a	
Operating Temperature Range	-20°C ~ +60°C (-4°F ~ +140°F)		
Storage Temperature Range	-		
Vibrations at No Load	IEC-60068-2-64		
Connector Wire Length	300mm		
Connector Wire Gauge	20AWG		
Connector Wire Strand Count	80EA		
Outline Dimensions	64.0 x 33.0 x 73.0mm		
Weight*	363.0g		
Ball Bearing	Dual Needle Bearing		
Case Material	Rugged Aluminum Alloy		
Gear Material	1 Metal-Plastic & 3 Hardened Steel Gears		
Gear Train Backlash	Max 0.5°		
Horn Gear Spline	15T Ø8.0		
Accessories	Mounting Hardware, I-MO		
Dust & Water Protection class	IP67		
Revision	Rev. 1.0 / 23.02.2022		
Changelog	-		

\*of the servo only w/o horns and accessories