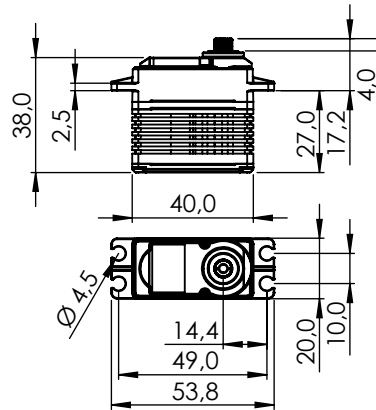


# MD950TW-CAN/UAVCAN

#1-01646, #1-01647



General Specification		MD950TW-CAN/UAVCAN		
Control System	CAN BUS **			
	Protocol (Mode)	Standard 2.0A	Extended 2.0B	UAVCAN
	Baud-Rate	10kbps ~ 1Mbps		
	Sample-Point	50% or 87.5%		
	Available SERVO ID	1 ~ 254		1 ~ 127
	Available Node ID	1 ~ 2047	1 ~ 536870911	1 ~ 127
Input Signal Range	0 ~ 5V			
Connector Type	Hitec 4P			
Position Sensor Type	Contactless Encoder			
Motor Type	DC Coreless Metal Brush			
Controller (MCU)	32Bit			
Operating Voltage Range	4.8V ~ 7.4V			
Operating Voltage	At 4.8V		At 7.4V	
No Load Speed	261°/s (44RPM)		429°/s (72RPM)	
Stall Torque	21.0kgcm (205.94Ncm)		35.0kgcm (343.23Ncm)	
Idle Current	30mA		30mA	
No Load Running Current	300mA		500mA	
Stall Current	3,700mA		6,200mA	
Deadband Width	4Step		4Step	
Travel	Travel / Command	90° / 4096		
	Servo mode	Left	Center	Right
	Pos Command	+1366	+8192	+15018
	Pos [°]	-150	0	+150
	Turn Mode	Left	Power On	Right
	Pos Command	-16383	0	+16383
	Pos [°]	-359	0	+359
Turn Range	-32760 ~ +32760			
Operating Temperature Range	-20°C ~ +60°C (-4°F ~ +140°F)			
Storage Temperature Range	-30°C ~ +80°C (-31°F ~ +176°F)			
Vibrations at No Load	MIL-STD-810G 514.6C-VII			
Connector Wire Length	300mm			
Connector Wire Gauge	20AWG			
Connector Wire Strand Count	80EA			
Outline Dimensions	40.0 x 20.0 x 38.0mm			
Weight*	68.0g			
Ball Bearing	Dual Ball Bearing / MR106			
Case Material	Engineering Plastic & Hardened Metal			
Gear Material	1 Metal-Plastic & 3 Titanium Alloy Gears			
Gear Train Backlash	Max 0.5°			
Horn Gear Spline	H25T Ø6.0			
Accessories	Mounting Hardware, HD-IM25, HD-LS25, HD-OS25, HD-X25			
Dust & Water Protection class	IP54			
Revision	Rev. 1.0 / 17.02.2022			
Changelog	-			

\*of the servo only w/o horns and accessories