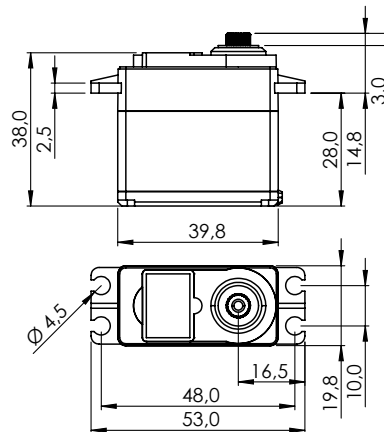


MD485MW

#1-01924



General Specification		MD485MW	
Control System	Pulse Width Modulation (PWM)		
	PWM Range	900µs 1500µs 2100µs	
Connector Type	Hitec 3P (JR 3P compatible)		
Position Sensor Type	Magnetic Rotary Encoder		
Motor Type	Carbon Brush		
Controller (MCU)	Digital Programmable Amplifier with Mosfet Drive		
Operating Voltage Range	3.5V ~ 8.4V		
Operating Voltage	At 4.8V	At 7.4V	
No Load Speed	300°/s (50RPM)	400°/s (67RPM)	
Stall Torque	4.8kgcm (47.07Ncm)	7.4kgcm (72.57Ncm)	
Idle Current	30mA	30mA	
No Load Running Current	250mA	320mA	
Stall Current	1,000mA	1,500mA	
Deadband Width	2µs	2µs	
Operating Travel	Default	±60°	
	Programmable	±160°	
	Multi Turn	n/a	
	Continuous Rotation	n/a	
Operating Temperature Range	-20°C ~ +60°C (-4°F ~ +140°F)		
Storage Temperature Range	-		
Vibrations at No Load	-		
Connector Wire Length	300mm		
Connector Wire Gauge	25AWG		
Connector Wire Strand Count	40EA		
Outline Dimensions	39.8 x 19.8 x 38.0mm		
Weight*	44.1g		
Ball Bearing	Single Ball Bearing / MR106		
Case Material	Engineering Plastic		
Gear Material	Karbonite Resin Gears		
Gear Train Backlash	-		
Horn Gear Spline	H25T Ø6.0		
Accessories	Mounting Hardware, HD-IM25, HD-LS25, HD-OS25, HD-X25		
Dust & Water Protection class	IP4X		
Revision	Rev. 1.0 / 17.02.2022		
Changelog	-		

*of the servo only w/o horns and accessories