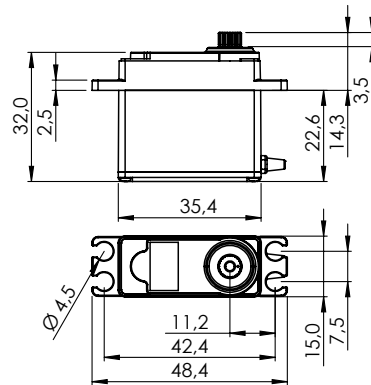


MD250MW

#1-00707



General Specification		MD250MW	
Control System	Pulse Width Modulation (PWM)		
	PWM Range	900µs 1500µs 2100µs	
Connector Type	Hitec 3P (JR 3P compatible)		
Position Sensor Type	Magnetic Rotary Encoder		
Motor Type	3 Poles Metal Brush		
Controller (MCU)	32Bit Digital Amplifier with Mosfet Drive		
Operating Voltage Range	6.0V ~ 7.4V		
Operating Voltage	At 4.8V	At 7.4V	
No Load Speed	300°/s (50RPM)	462°/s (77RPM)	
Stall Torque	4.9kgcm (48.05Ncm)	7.5kgcm (73.55Ncm)	
Idle Current	40mA	40mA	
No Load Running Current	110mA	190mA	
Stall Current	1,000mA	1,600mA	
Deadband Width	2µs	2µs	
Operating Travel	Default	±60°	
	Programmable	±160°	
	Multi Turn	n/a	
	Continuous Rotation	n/a	
Operating Temperature Range	-20°C ~ +60°C (-4°F ~ +140°F)		
Storage Temperature Range	-		
Vibrations at No Load	-		
Connector Wire Length	300mm		
Connector Wire Gauge	24AWG		
Connector Wire Strand Count	40EA		
Outline Dimensions	35.0 x 15.0 x 33.0mm		
Weight*	38.3g		
Ball Bearing	Dual Ball Bearing / MR106, MR85		
Case Material	Engineering Plastic		
Gear Material	1 Metal-Plastic & 4 Steel Gears		
Gear Train Backlash	-		
Horn Gear Spline	H25T Ø6.0		
Accessories	Mounting Hardware, M-025, M-I25, M-X25, MR-ML25		
Dust & Water Protection class	IP4X		
Revision	Rev. 1.0 / 17.02.2022		
Changelog	-		

*of the servo only w/o horns and accessories