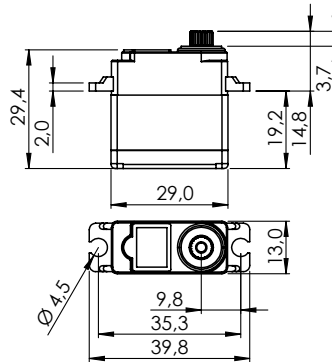


# MD85MG

## #1-01656



General Specification		MD85MG	
Control System	Pulse Width Modulation (PWM)		
	PWM Range	900µs   1500µs   2100µs	
Connector Type	Hitec 3P (JR 3P compatible)		
Position Sensor Type	Magnetic Rotary Encoder		
Motor Type	DC Carbon Brush		
Controller (MCU)	Digital Amplifier with Mosfet Drive		
Operating Voltage Range	4.8V ~ 6.0V		
Operating Voltage	At 4.8V	At 6.0V	
No Load Speed	353°/s (59RPM)	462°/s (77RPM)	
Stall Torque	3.6kgcm (35.30Ncm)	4.3kgcm (42.17Ncm)	
Idle Current	-	30mA	
No Load Running Current	-	-	
Stall Current	-	1,800mA	
Deadband Width	2µs	2µs	
Operating Travel	Default	±60°	
	Programmable	±160°	
	Multi Turn	n/a	
	Continuous Rotation	n/a	
Operating Temperature Range	-20°C ~ +60°C (-4°F ~ +140°F)		
Storage Temperature Range	-		
Vibrations at No Load	-		
Connector Wire Length	250mm		
Connector Wire Gauge	28AWG		
Connector Wire Strand Count	20EA		
Outline Dimensions	29.0 x 13.0 x 30.0mm		
Weight*	21.5g		
Ball Bearing	Single Ball Bearing / MR106		
Case Material	Engineering Plastic		
Gear Material	5 Metal Gears		
Gear Train Backlash	-		
Horn Gear Spline	24T Ø5.76		
Accessories	Mounting Hardware, M-I, M-X, M-O		
Dust & Water Protection class	IP4X		
Revision	Rev. 1.0 / 17.02.2022		
Changelog	-		

\*of the servo only w/o horns and accessories