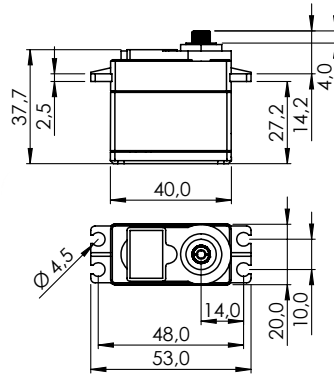


HSB-9465SH

#116465



General Specification		HSB-9465SH	
Control System	Pulse Width Modulation (PWM)		
	PWM Range	900µs 1500µs 2100µs	
Connector Type	Hitec 3P (JR 3P compatible)		
Position Sensor Type	Indirect Drive / 4 Slider / 1M Cycle Long Life		
Motor Type	BLDC		
Controller (MCU)	Digital Amplifier with Mosfet Drive		
Operating Voltage Range	6.0V ~ 7.4V		
Operating Voltage	At 6.0V		At 7.4V
No Load Speed	667°/s (111RPM)		587°/s (143RPM)
Stall Torque	13.5kgcm (132.39Ncm)		13.5kgcm (132.39Ncm)
Idle Current	30mA		30mA
No Load Running Current	250mA		200mA
Stall Current	1,100mA		900mA
Deadband Width	1µs		1µs
Operating Travel	Default	±60°	
	Programmable	±87,5°	
	Multi Turn	n/a	
	Continuous Rotation	n/a	
Operating Temperature Range	-20°C ~ +60°C (-4°F ~ +140°F)		
Storage Temperature Range	-		
Vibrations at No Load	-		
Connector Wire Length	300mm		
Connector Wire Gauge	20AWG		
Connector Wire Strand Count	80EA		
Outline Dimensions	40.0 x 20.0 x 37.0mm		
Weight*	62.2g		
Ball Bearing	Dual Ball Bearing / MR106		
Case Material	Engineering Plastic		
Gear Material	1 Metal-Karbonite & 3 Metal Gears		
Gear Train Backlash	-		
Horn Gear Spline	H25T Ø6.0		
Accessories	Mounting Hardware, HD-IM25, HD-LS25, HD-OS25, HS-X25, HD-IL25, HD-LL25		
Dust & Water Protection class	IP54		
Revision	Rev. 1.0 / 17.02.2022		
Changelog	-		

*of the servo only w/o horns and accessories