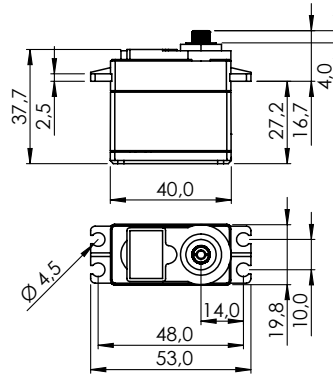


HSB-9485SH

#116485



General Specification		HSB-9485SH	
Control System	Pulse Width Modulation (PWM)		
	PWM Range	900µs 1500µs 2100µs	
Connector Type	Hitec 3P (JR 3P compatible)		
Position Sensor Type	Indirect Drive / 4 Slider / 1M Cycle Long Life		
Motor Type	BLDC		
Controller (MCU)	Digital Amplifier with Mosfet Drive		
Operating Voltage Range	6.0V ~ 7.4V		
Operating Voltage	At 6.0V	At 7.4V	
No Load Speed	333°/s (56RPM)	400°/s (67RPM)	
Stall Torque	23.0kgcm (225.55Ncm)		
Idle Current	30mA	30mA	
No Load Running Current	300mA	300mA	
Stall Current	1,100mA	900mA	
Deadband Width	1µs	1µs	
Operating Travel	Default	±60° **	
	Programmable	±87,5°	
	Multi Turn	n/a	
	Continuous Rotation	n/a	
Operating Temperature Range	-20°C ~ +60°C (-4°F ~ +140°F)		
Storage Temperature Range	-		
Vibrations at No Load	-		
Connector Wire Length	300mm		
Connector Wire Gauge	20AWG		
Connector Wire Strand Count	80EA		
Outline Dimensions	40.0 x 20.0 x 37.0mm		
Weight*	61.7g		
Ball Bearing	Dual Ball Bearing / MR106		
Case Material	Engineering Plastic		
Gear Material	1 Metal-Karbonite & 3 Metal Gears		
Gear Train Backlash	-		
Horn Gear Spline	H25T Ø6.0		
Accessories	Mounting Hardware, HD-IM25, HD-LS25, HD-OS25, HS-X25, HD-IL25, HD-LL25		
Dust & Water Protection class	IP54		
Revision	Rev. 1.0 / 17.02.2022		
Changelog	-		

*of the servo only w/o horns and accessories
 ** also available with 270°