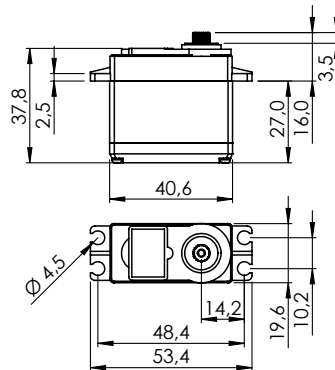


HSR-2645CR

#138645



General Specification		HSR-2645CR	
Control System	Pulse Width Modulation (PWM)		
	PWM Range	1500µs Neutral 2000µs Frame	
Connector Type	Hitec 3P (JR 3P compatible)		
Position Sensor Type	Non		
Motor Type	Cored Carbon Brush		
Controller (MCU)	Digital Programmable		
Operating Voltage Range	4.8V ~ 7.4V		
Operating Voltage	At 4.8V	At 7.4V	
No Load Speed	276°/s (46RPM)	432°/s (72RPM)	
Stall Torque	8.0kgcm (78.45Ncm)	12.0kgcm (117.68Ncm)	
Idle Current	3mA	3mA	
No Load Running Current	110mA	140mA	
Stall Current	1,700mA	2,400mA	
Deadband Width	-		
Operating Travel	Default	-	
	Programmable	-	
	Multi Turn	n/a	
	Continuous Rotation	yes	
Operating Temperature Range	-20°C ~ +60°C (-4°F ~ +140°F)		
Storage Temperature Range	-		
Vibrations at No Load	-		
Connector Wire Length	300mm		
Connector Wire Gauge	20AWG		
Connector Wire Strand Count	60EA		
Outline Dimensions	40.6 x 19.8 x 37.8mm		
Weight*	50.3g		
Ball Bearing	Dual Ball Bearing / MR106		
Case Material	Engineering Plastic		
Gear Material	1 Plastic-Metal & 3 Metal Gears		
Gear Train Backlash	-		
Horn Gear Spline	24T Ø5.76		
Accessories	Mounting Hardware, R-O		
Dust & Water Protection class	IP4X		
Revision	Rev. 1.0 / 17.02.2022		
Changelog	-		

*of the servo only w/o horns and accessories