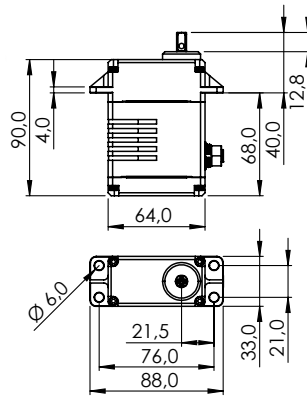


SG33BL-T-CAN-12V (CIRCULAR)

#1-02346



General Specification		SG33BL-T-CAN-12V (Circular)		
Control System	CAN BUS			
	Protocol (Mode)	Standard 2.0A	Extended 2.0B	
	Baud-Rate	10kbps ~ 1Mbps		
	Sample-Point	50% or 87.5%		
	Available SERVO ID	1 ~ 254		1 ~ 127
	Available Node ID	1 ~ 2047	1 ~ 536870911	1 ~ 127
Input Signal Range	0 ~ 5V			
Connector Type	Circular			
Position Sensor Type	Contactless Magnetic Encoder			
Motor Type	BLDC			
Controller (MCU)	32Bit programmable Digital			
Operating Voltage Range	9.0 ~ 15.0V			
Operating Voltage	At 12.0V			
No Load Speed	324°/s (54RPM)			
Stall Torque	147.0kgcm (1441.58Ncm)			
Idle Current	45mA			
No Load Running Current	500mA			
Stall Current	10,000mA			
Deadband Width	4 step			
Travel	Travel / Command	90° / 4096		
	Servo mode	Left	Center	Right
	Pos Command	+1366	+8192	+15018
	Pos [°]	-150	0	+150
	Turn Mode	Left	Power On	Right
	Pos Command	-16383	0	+16383
	Pos [°]	-359	0	+359
Turn Range	-32760 ~ +32760			
Operating Temperature Range	-20°C ~ +70°C (-4°F ~ +158°F)			
Storage Temperature Range	-40°C ~ +80°C (-40°F ~ +176°F)			
Vibrations at No Load	MIL-STD-810G 514.6C-VII			
Connector Wire Length	-			
Connector Wire Gauge	-			
Connector Wire Strand Count	-			
Outline Dimensions	64.0 x 33.0 x 90.0mm			
Weight*	475.0g			
Ball Bearing	6 Ball Bearings & 2 Needle Bearings			
Case Material	Rugged Aluminium Alloy			
Gear Material	1 Metal-Plastic-Metal & 3 Hardened Steel Gears			
Gear Train Backlash	Max 0.5°			
Horn Gear Spline	Square 6.5 x 6.5			
Accessories	Mounting Hardware, I-MOS			
Dust & Water Protection class	IP68			
Revision & Stand	Rev. 1.0 / 17.03.2022			
Changelog	-			

*of the servo only w/o horns and accessories