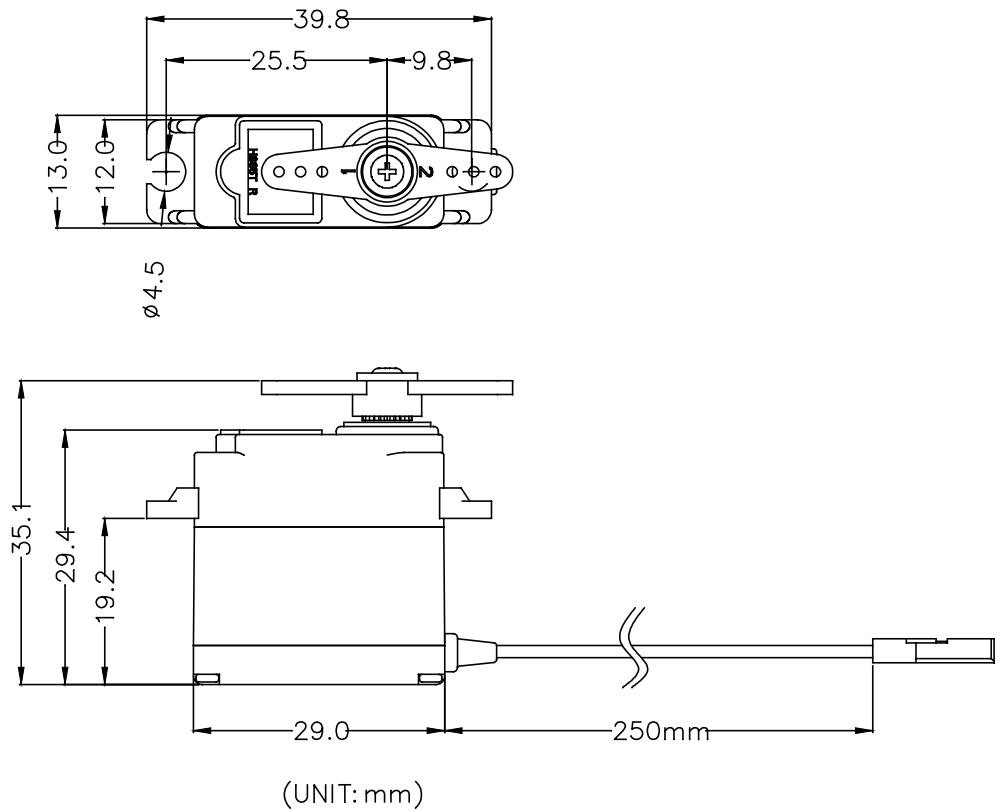


# GENERAL SPECIFICATION OF MD85MG MAGNETIC ENCODER DIGITAL MICRO SERVO

1. TECHNICAL VALUE	
CONTROL SYSTEM	: +PULSE WIDTH CONTROL 1500usec NEUTRAL
OPERATING VOLTAGE RANGE	: 4.8V TO 6.0V
OPERATING TEMPERATURE RANGE	: -20° TO +60° (-4°F TO +140°F)
TEST VOLTAGE	: AT 4.8V <span style="float: right;">AT 6.0V</span>
OPERATING SPEED	: 0.17sec/60° AT NO LOAD <span style="float: right;">0.13sec/60° AT NO LOAD</span>
STALL TORQUE	: *3.6kg.cm(50.0oz.in) <span style="float: right;">*4.3kg.cm(59.71oz.in)</span>
STANDING TORQUE	: - <span style="float: right;">-</span>
IDLE CURRENT	: -mA AT STOPPED <span style="float: right;">-mA AT STOPPED</span>
RUNNING CURRENT	: ---mA/60° AT NO LOAD RUNNING <span style="float: right;">---mA/60° AT NO LOAD RUNNING</span>
STALL CURRENT	: 1,500mA <span style="float: right;">1,800mA</span>
DEAD BAND WIDTH	: 2usec <span style="float: right;">2usec</span>
OPERATING TRAVEL	: 40°/ONE SIDE PULSE TRAVELING 400usec
DIRECTION	: CLOCK WISE/PULSE TRAVELING 1500 TO 1900usec
MOTOR TYPE	: DC CARBON BRUSH
POTENTIOMETER TYPE	: MAGNETIC ROTARY ENCODER
AMPLIFIER TYPE	: DIGITAL AMPLIFIER & MOSFET DRIVER
DIMENSIONS	: 29x13x30mm(1.14x0.51x1.18in)
WEIGHT	: 25.0g(0.88oz)
BALL BEARING	: SINGLE/MR106
GEAR MATERIAL	: 5 METALS
HORN GEAR SPLINE	: 24 SEGMENTS/φ5.76
SPLINED HORNS	: MICRO/M-I, M-O, M-X
CONNECTOR WIRE LENGTH	: 250mm(9.84in)
CONNECTOR WIRE STRAND COUNTER	: 20EA
CONNECTOR WIRE GAUGE	: 28AWG



## 2. FEATURES

## 3. APPLICATIONS FOR SMALL MODELS