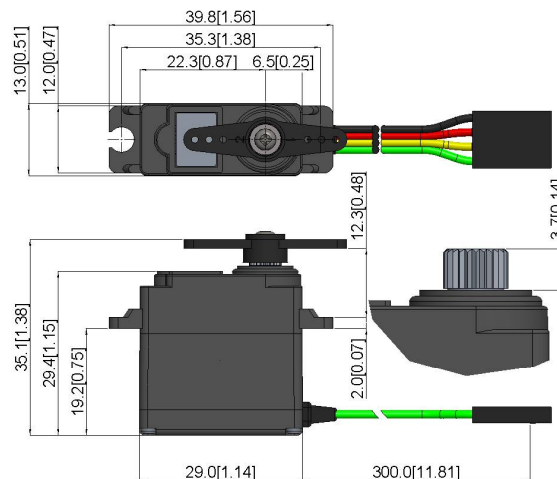


GENERAL SPECIFICATION OF MD85MG-CAN



UPDATE : 2019-04-12

Control System	CAN BUS			
	Protocol (Mode)	Standard 2.0A	Extended 2.0B	UAVCAN
	Baud-Rate	10kbps ~ 1 Mbps		
	Sample-Point	50% or 87.5%		
	Available SERVO ID	0 ~ 254		
	Available Node ID	0 ~ 65535	0~2147483647	1~127
Input Signal Range	Input -12V~12V			
Position Sensor Type	Contactless encoder			
Operating Voltage Range	4.8 V ~ 6.0V			
Motor Type	Cored			
Controller(MCU)	32Bits			
Travel	Travel / Command	90° / 4096		
	Servo Mode	Left	Center	Right
	Pos Command	+84	+8192	+16300
	Pos (Unit : °)	-178	0	+178
	Turn Mode	Left	Power On	Right
	Pos Command	-16300	0	+16300
	Pos (Unit : °)	-358	0	+358
Turn Range	-32767 ~ +32767			
Voltage	At 4.8V	At 6.0V	-	
No Load Speed	0.17sec/60° (348°/sec)(58RPM)	0.13sec/60° (456°/sec)(76RPM)	-	
Stall Torque	3.6kg-cm (50.0oz.in)	4.3kg-cm (59.7oz.in)	-	
Standing Current	30mA	30mA	-	
No Load Running Current	320mA	380mA	-	
Stall Current	1,500mA	1,800mA	-	
Dead Band	4Step	4Step	-	
Operating Temperature Range	-20°C ~ +60°C (-4°F ~ +140°F)			
Vibrations at No Load	MIL-STD-810G 514.6C-VII			
Storage Temperature Range	-30°C ~ +80°C (-31°F ~ +176°F)			
Connector Wire Length	300mm(11.81in)			
Outline Dimensions	29.0 x 13.0 x 30.0mm(1.14 x 0.51 x 1.18in)			
Weight	25g(0.88oz)			
Ball Bearing	Single Ball Bearing / MR106			
Case Material	Engineering Plastic			
Gear Material	5 Metal Gears			
Gear Train Backlash	Max 0.5°			
Horn Gear Spline	H25T (25 Segment Ø6.0)			
Splined Horns	M-I			
Dust & Water Protect Class	-			



UNIT : mm(Inch)