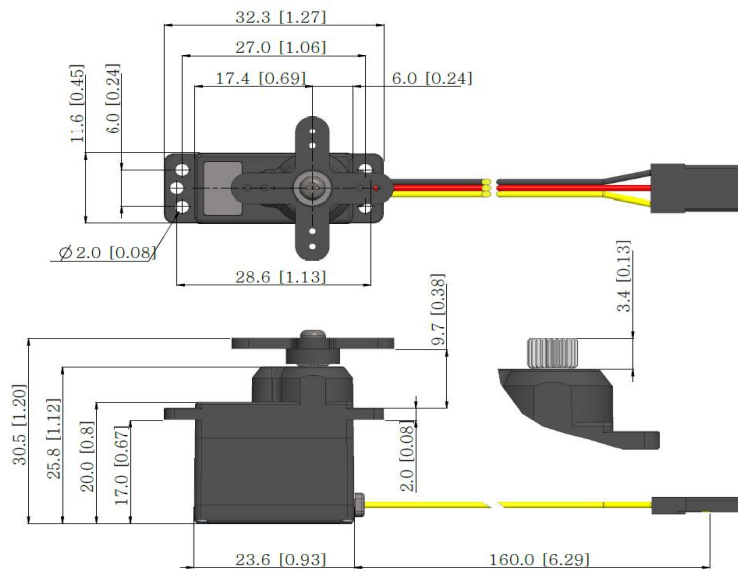


# GENERAL SPECIFICATION OF MD65MG



UPDATE : 2019-04-12

Control System	Pulse Width Modulation(PWM)	Left / 900usec	Neutral / 1,500usec	Right / 2,100usec
Position Sensor Type	Contactless encorder			
Operating Voltage Range	4.8V ~ 6.0V			
Motor Type	Cored			
Controller(MCU)	32Bits			
Voltage	At 4.8V	At 6.0V		
No Load Speed	0.14sec/60° (428.6°/sec) (71.4RPM)	0.11sec/60° (545.5°/sec) (90.9RPM)		
Stall Torque	1.8kg•cm (24.99oz.in)	2.2kg•cm (30.55oz.in)		
Standing Current	30mA	30mA		
No Load Running Current	180mA	220mA		
Stall Current	960mA	1200mA		
Dead Band Width	5usec	5usec		
Operating Travel	Default	±40°	1100 ~ 1900usec	
		±60°	900 ~ 2100usec	
	Programmable	±165°	600 ~ 2400usec	
Operating Temperature Range	-20°C ~ +60°C (-4°F ~ +140°F)			
Vibrations at No Load	MIL-STD-810G 514.6C-VII			
Storage Temperature Range	-30°C ~ +80°C (-31°F ~ +176°F)			
Connector Wire Length	160mm(6.29in)			
Outline Dimensions	23.6 x 11.6 x 25.8mm (±0.2mm) (0.92 x 0.45 x 1.12 in)			
Weight	11.9g (0.42oz) (±10%)			
Ball Bearing	Single Ball Bearing / MR85			
Case Material	Engineering Plastic			
Gear Material	1 Resin & 4 Metal Gears			
Gear Train Backlash	Max 0.5°			
Horn Gear Spline	M25T (25 Segment Ø5.0)			
Splined Horns	MS-X25			
Dust & Water Protect Class				



UNIT : mm(Inch)