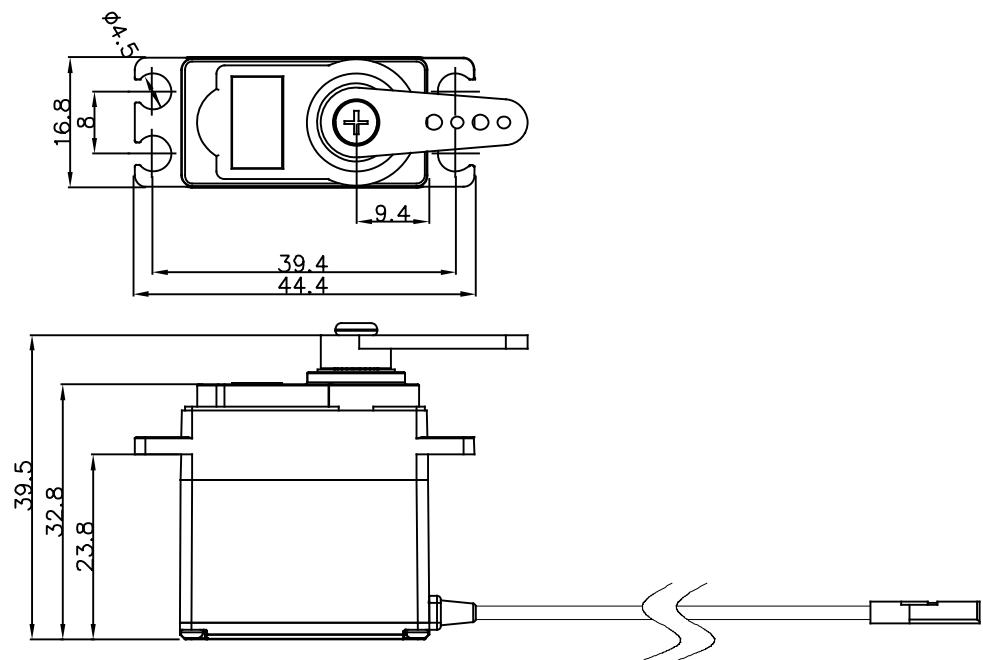


# GENERAL SPECIFICATION OF MD245MW CORELESS DIGITAL MINI SERVO

<b>1. TECHNICAL VALUE</b>			
CONTROL SYSTEM	: +PULSE WIDTH CONTROL 1500usec NEUTRAL		
OPERATING VOLTAGE RANGE	: 4.8V TO 7.4V		
OPERATING TEMPERATURE RANGE	: -20°C TO +60°C (-4°F TO +140°F)		
TEST VOLTAGE	: AT 4.8V	AT 6.0V	AT 7.4V
OPERATING SPEED	: 0.17sec/60° NO LOAD	0.13sec/60° NO LOAD	0.11sec/60° NO LOAD
STALL TORQUE	: 4.2kg.cm(58.65oz)	5.2kg.cm(72.21oz)	6.4kg.cm(88.88oz)
STANDING TORQUE	: -		
IDLE CURRENT	: 30mA AT STOPPED	30mA AT STOPPED	30mA AT STOPPED
RUNNING CURRENT	: 110mA	150mA	190mA
STALL CURRENT	: 1,000mA	1,300mA	1,600mA
DEAD BAND WIDTH	: 2usec	2usec	2usec
OPERATING TRAVEL	: 40±5°/ONE SIDE PULSE TRAVELING 400usec		
DIRECTION	: CLOCK WISE/PULSE TRAVELING 1500 TO 1900usec		
MOTOR TYPE	: CORELESS METAL BRUSH		
POTENTIOMETER TYPE	: MAGNETIC ROTARY ENCODER		
AMPLIFIER TYPE	: NUVOTON 32BIT MCU DIGITAL AMPLIFIER WITH MOSFET DRIVE		
DIMENSIONS	: 32.4x16.8x32.8mm(1.28x0.66x1.29in)		
WEIGHT	: 34g(1.2oz)		
BALL BEARING	: DUAL/MR106		
GEAR MATERIAL	: 1 METAL-PLASTIC & 3 METAL GEARS		
HORN GEAR SPLINE	: 25 SEGMENTS/∅6.0		
SPLINED HORNS	: M-025		
CONNECTOR WIRE LENGTH	: 300mm(11.81in)		
CONNECTOR WIRE STRAND COUNTER	: 60EA		
CONNECTOR WIRE GAUGE	: 22AWG		



## 2. FEATURES

- PROGRAMMABLE DIGITAL AMPLIFIER WITH MOSFET DRIVE
- 1 METAL-PLASTIC & 3 PRECISION ALL METAL GEARS WITH DUAL BALL BEARING
- HIGH RESPONSE CORELESS MOTOR

## 3. APPLICATIONS

- SMALL AIR PLANE & HELICOPTER MODELS