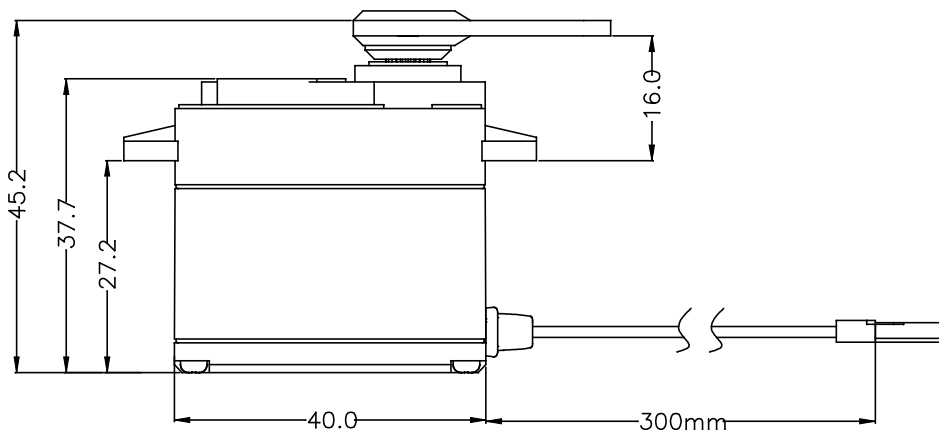
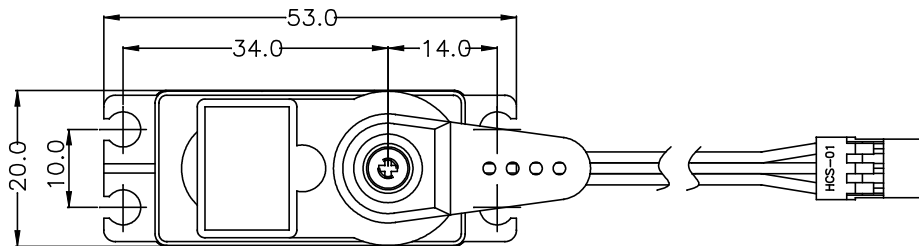


# GENERAL SPECIFICATION OF HSB-9485SH HIGH VOLTAGE BLDC SERVO

## 1. TECHNICAL VALUE

CONTROL SYSTEM	:+PULSE WIDTH CONTROL 1500usec NEUTRAL	
OPERATING VOLTAGE RANGE	:6.0V TO 7.4V	
OPERATING TEMPERATURE RANGE	:-20°C TO +60°C(-68°F TO +140°F)	
TEST VOLTAGE	: AT 6.0V	AT 7.4V
OPERATING SPEED	:0.18sec/60° AT NO LOAD	0.15sec/60° AT NO LOAD
STALL TORQUE	:23kg.cm(319.4oz.in)	23kg.cm(319.4oz.in)
STANDING TORQUE	: -	-
IDLE CURRENT	:30mA AT STOPPED	30mA AT STOPPED
RUNNING CURRENT	:300mA/60° AT NO LOAD RUNNING	300mA/60° AT NO LOAD RUNNING
STALL CURRENT	:1100mA	900mA
DEAD BAND WIDTH	:1usec	1usec
OPERATING TRAVEL	:ONE SIDE PULSE TRAVELING 400usec	
DIRECTION	:CLOCK WISE/PULSE TRAVELING 1500 TO 1900usec	
MOTOR TYPE	:BLDC MOTOR	
POTENTIOMETER TYPE	:4 SLIDER/1M CYCLE LONG LIFE/INDIRECT DRIVE	
AMPLIFIER TYPE	:DSPIC33 MCU DIGITAL AMPLIFIER WITH MOSFET DRIVE	
DIMENSIONS	:40x20x37mm(1.57x0.78x1.45in)	
WEIGHT	:62g(2.18oz)WITHOUT SPLINED HORN	
BALL BEARING	:DUAL/MR106	
GEAR MATERIAL	:1 METAL-KARBONITE, 3 METAL GEARS	
HORN GEAR SPLINE	:25 SEGMENTS /ø6.0	
SPLINED HORNS	:HEAVY DUTY/ LS25, IM25, X25, OS25, IL25, LL25	
CONNECTOR WIRE LENGTH	:300mm(11.81in)	
CONNECTOR WIRE STRAND COUNTER	:80EA	
CONNECTOR WIRE GAUGE	:20AWG	



## 2. FEATURES

PROGRAMMABLE DIGITAL AMPLIFIER WITH BLDC MOTOR  
DURABLE HEAVY DUTY METAL GEARS WITH BALL BEARING  
WATER & DUST TIGHT

## 3. APPLICATIONS

AIRCRAFT 20-60 SIZE, 60 SIZE HELICOPTERS, STEERING AND THROTTLE SERVO, TRUCK AND BOATS