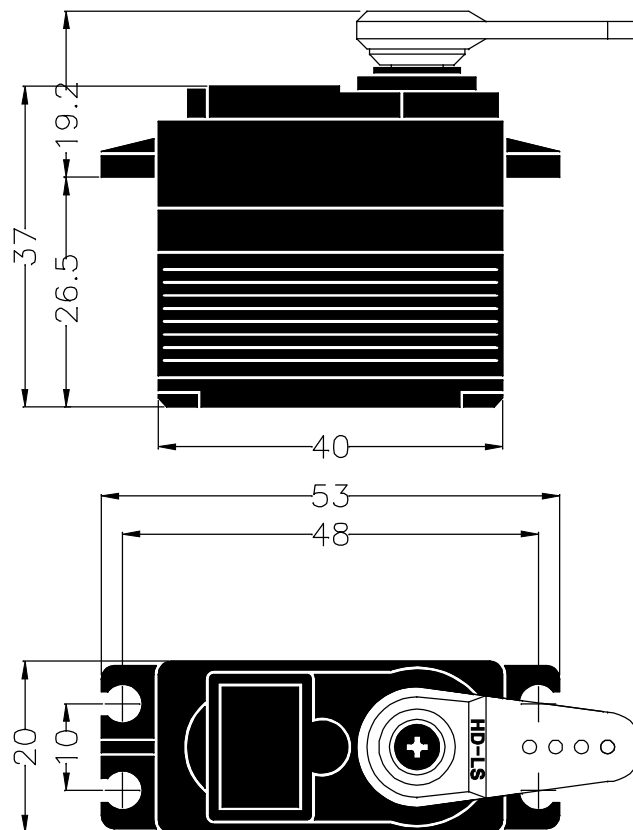


GENERAL SPECIFICATION OF HS-7955TG CORELESS DIGITAL SERVO

1. TECHNICAL VALUE

CONTROL SYSTEM	:+PULSE WIDTH CONTROL 1500usec NEUTRAL	
OPERATING VOLTAGE RANGE	:4.8V TO 6.0V	
OPERATING TEMPERATURE RANGE	:-20° C TO +60° C (-68° F TO +140° F)	
TEST VOLTAGE	:AT 4.8V	AT 6.0V
OPERATING SPEED	:0.19sec/60° AT NO LOAD	0.15sec/60° AT NO LOAD
STALL TORQUE	:18kg.cm(249.96oz.in)	24.0kg.cm(333.29oz.in)
STANDING TORQUE	:23.4kg.cm(324.95oz.in)/5° HOLD OUT	31.2kg.cm(433.27oz.in)/5° HOLD OUT
IDLE CURRENT	:9mA AT STOPPED	9mA AT STOPPED
RUNNING CURRENT	:220mA/NO LOAD RUNNING	300mA/NO LOAD RUNNING
STALL CURRENT	:3400mA	4200mA
DEAD BAND WIDTH	:1usec	1usec
OPERATING TRAVEL	:40±5° /ONE SIDE PULSE TRAVELING 400usec	
DIRECTION	:CLOCK WISE/PULSE TRAVELING 1500 TO 1900usec	
MOTOR TYPE	:CORELESS METAL BRUSH	
POTENTIOMETER TYPE	:6 SLIDER/INDIRECT DRIVE	
AMPLIFIER TYPE	:DIGITAL AMPLIFIER WITH MOSFET DRIVE	
DIMENSIONS	:40x20x37mm(1.57x0.78x1.45in)	
WEIGHT	:65g(2.29oz)	
BALL BEARING	:DUAL/MR106	
GEAR MATERIAL	:TITANIUM ALLOY	
HORN GEAR SPLINE	:24 SEGMENTS/∅5.76	
SPLINED HORNS	:HEAVY DUTY/HD-IS, HD-O, HD-LS, HD-IL, HD-LL	
CONNECTOR WIRE LENGTH	:300mm(11.81in)	
CONNECTOR WIRE STRAND COUNTER	:60EA	
CONNECTOR WIRE GAUGE	:22AWG	



2. FEATURES

- PROGRAMMABLE DIGITAL AMPLIFIER WITH MOSFET DRIVE**
- DURABLE TITANIUM ALLOY METAL GEARS WITH DUAL BALL BEARING**
- ULTRA HARDNESS SHAFT WITH 3 AXIAL METAL BUSHING**
- WATER & DUST TIGHT**
- HEAT SINK FOR MOTOR**

3. APPLICATIONS

- LARGE AIR PLANE MODELS**