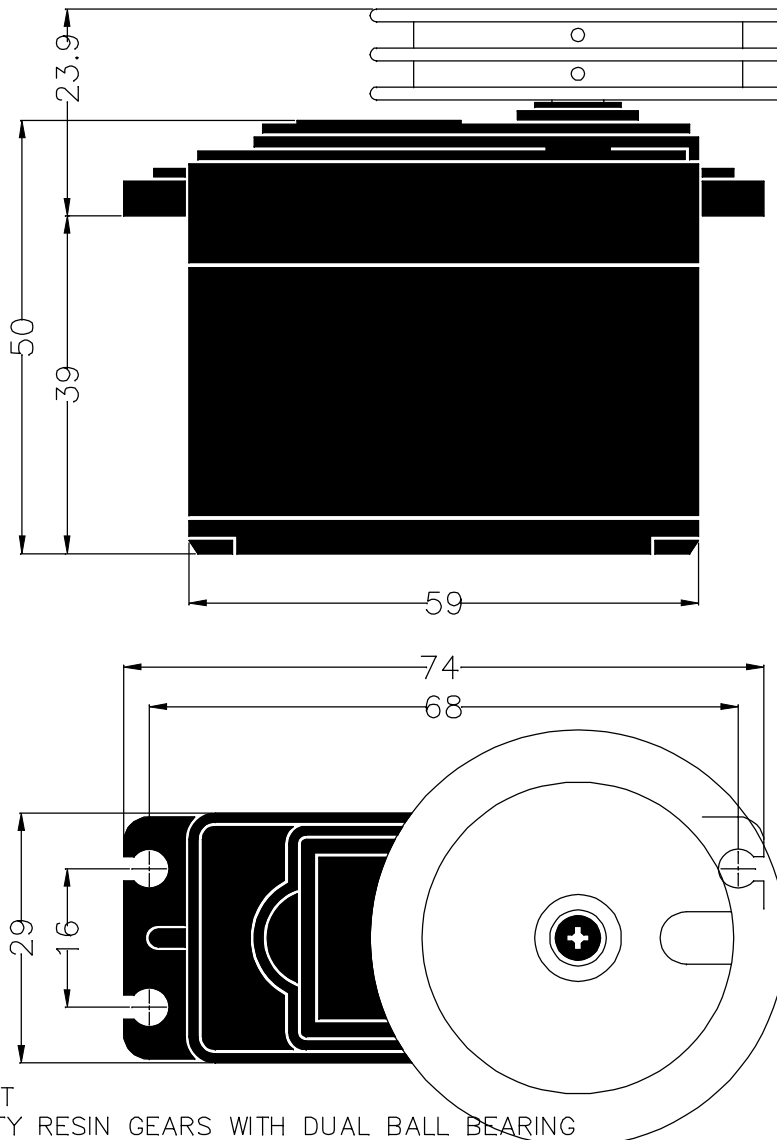


GENERAL SPECIFICATION OF HS-785HB WINCH SERVO

1. TECHNICAL VALUE

CONTROL SYSTEM	:+PULSE WIDTH CONTROL 1500usec NEUTRAL	
OPERATING VOLTAGE RANGE	:4.8V TO 6.0V	
OPERATING TEMPERATURE RANGE	:-20°C TO +60°C(-4°F TO +140°F)	
TEST VOLTAGE	: AT 4.8V	AT 6.0V
OPERATING SPEED	:1.68sec/360° AT NO LOAD(1.4sec/100mm)	1.38sec/360° AT NO LOAD(1.1sec/100mm)
STALL TORQUE	:11kg.cm(152.75oz.in)	13.2kg.cm(183.31oz.in)
STANDING TORQUE	:8.8kg.cm(122.20oz.in)/5° HOLD OUT	10.5kg.cm(145.81oz.in)/5° HOLD OUT
IDLE CURRENT	:8mA AT STOPPED	8mA AT STOPPED
RUNNING CURRENT	:230mA/60° AT NO LOAD RUNNING	250mA/60° AT NO LOAD RUNNING
STALL CURRENT	:1500mA	1800mA
DEAD BAND WIDTH	:5usec	5usec
OPERATING TRAVEL	:1.75turns/ONE SIDE PULSE TRAVELING 1500 TO 1900usec	
DIRECTION	:CLOCK WISE/PULSE TRAVELING 1500 TO 1900usec	
MOTOR TYPE	:CORED METAL BRUSH	
POTENTIOMETER TYPE	:6 SLIDER/INDIRECT DRIVE	
AMPLIFIER TYPE	:ANALOG AMPLIFIER	
DIMENSIONS	:59x29x50mm(2.32x1.14x1.96in)	
WEIGHT	:108.8g(3.83oz)	
BALL BEARING	:DUAL/MR106	
GEAR MATERIAL	:HEAVY DUTY RESIN	
HORN GEAR SPLINE	:24 SEGMENTS/∅5.76	
SPLINED HORNS	:QUARTER SCALE/Q-I, Q-O, Q-X	
CONNECTOR WIRE LENGTH	:300mm(11.81in)	
CONNECTOR WIRE STRAND COUNTER	:60EA	
CONNECTOR WIRE GAUGE	:22 AWG	



2. FEATURES

- WATER & DUST TIGHT
- DURABLE HEAVY DUTY RESIN GEARS WITH DUAL BALL BEARING

3. APPLICATIONS

- FOR SAIL BOAT