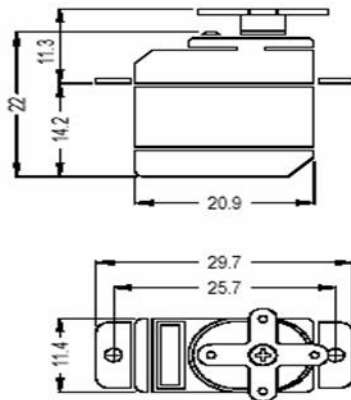


# ANNOUNCED SPECIFICATION OF HS-50 FEATHER SERVO

## 1. TECHNICAL VALUES

CONTROL SYSTEM	: +PULSE WIDTH CONTROL 1500usec NEUTRAL
OPERATING VOLTAGE RANGE	: 4.8V
OPERATING TEMPERATURE RANGE	: -20 TO +60°C
TEST VOLTAGE	: AT 4.8V
OPERATING SPEED	: 0.09sec/60° AT NO LOAD
STALL TORQUE	: 0.6kg.cm(8.33oz.in)
OPERATING ANGLE	: 40°/ONE SIDE PULSE TRAVELING 400usec
DIRECTION	: CLOCK WISE/PULSE TRAVELING 1500 TO 1900usec
CURRENT DRAIN	: 8mA/IDLE AND 100mA/NO LOAD RUNNING
DEAD BAND WIDTH	: 8usec
CONNECTOR WIRE LENGTH	: 160mm(6.29in)
DIMENSIONS	: 20.9x11.4x22mm(0.82x0.44x0.86in)
WEIGHT	: 6.4g(0.22oz)/6.1g(0.21oz) WITHOUT SPLINED HORN AND SCREW



## 2. FEATURES

- HYBRID I.C
- LOW WEIGHT
- 3-POLE FERRITE MOTOR
- DIRECT POTENTIOMETER DRIVE

## 3. APPLICATIONS

- MICRO PLANES
- HAND LAUNCH GLIDERS
- SMALL ELECTRICS