

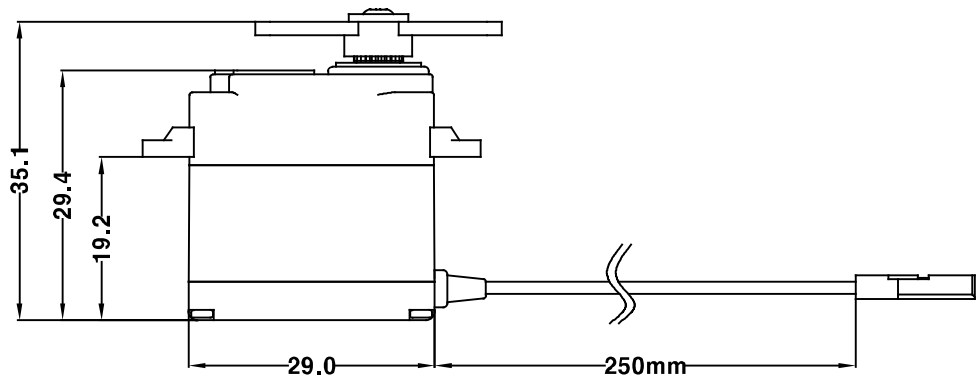
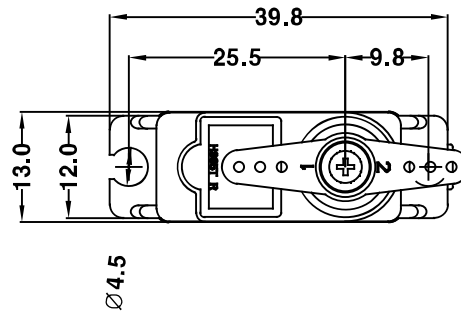
ANNOUNCE SPECIFICATION OF D85MG DIGITAL MICRO SERVO

1. TECHNICAL VALUE

CONTROL SYSTEM	: +PULSE WIDTH CONTROL 1500usec NEUTRAL	
OPERATING VOLTAGE RANGE	: 4.8V TO 6.0V	
OPERATING TEMPERATURE RANGE	: -20° TO +60°(-4°F TO +140°F)	
TEST VOLTAGE	: AT 4.8V	AT 6.0V
OPERATING SPEED	: 0.17sec/60°	0.13sec/60°
STALL TORQUE	: 3.6kg.cm(50.27oz.in)	4.3kg.cm(60.04oz.in)
STANDING TORQUE	: -	
IDLE CURRENT	: 30mA AT STOPPED	30mA AT STOPPED
RUNNING CURRENT	: 230mA/60°	290mA/60°
STALL CURRENT	: 1,200mA	1,400mA
DEAD BAND WIDTH	: 2usec	2usec
OPERATING TRAVEL	: 40°/ONE SIDE PULSE TRAVELING 400usec	
DIRECTION	: CLOCK WISE/PULSE TRAVELING 1500 TO 1900usec	
MOTOR TYPE	: CORED METAL BRUSH	
POTENTIOMETER TYPE	: 1M CYCLE LONG LIFE/INDIRECT DRIVE	
AMPLIFIER TYPE	: DIGITAL AMPLIFIER & MOSFET DRIVER	
DIMENSIONS	: 29x13x30mm(1.14x0.51x1.18in)	
WEIGHT	: 24g	
BALL BEARING	: SINGLE/MR106	
GEAR MATERIAL	: 5 METALS	
HORN GEAR SPLINE	: 24 SEGMENTS/ø5.76	
SPLINED HORNS	: MICRO/M-I, M-O, M-X	
CONNECTOR WIRE LENGTH	: 250mm(9.84in)	
CONNECTOR WIRE STRAND COUNTER	: 20EA	
CONNECTOR WIRE GAUGE	: 28AWG	

REFERENCE ONLY

AT 7.4V
0.11sec/60°
5.3kg.cm(74.00oz.in)
30mA AT STOPPED
350mA/60°
1,700mA
2usec



(UNIT: mm)

2. FEATURES

3. APPLICATIONS FOR SMALL MODELS